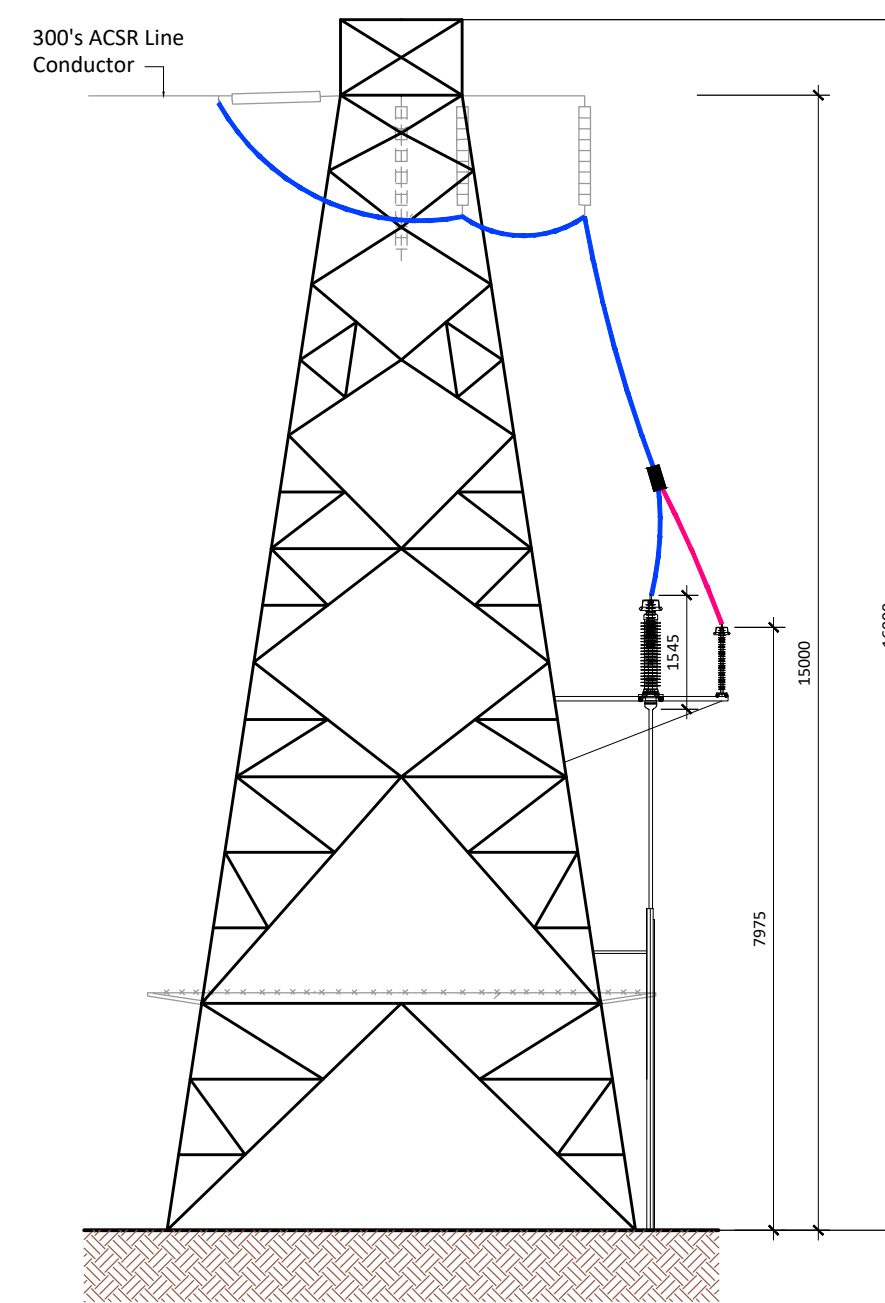
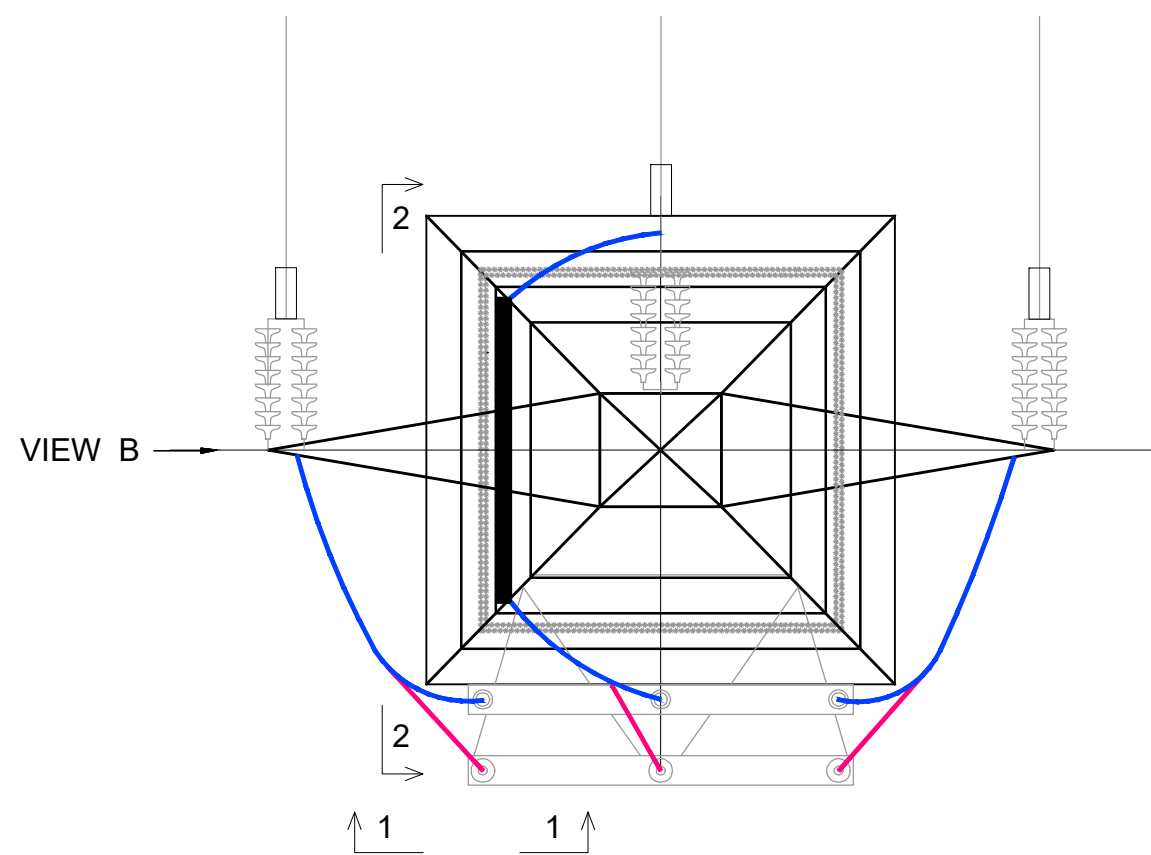


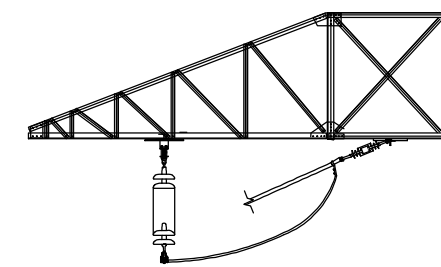
**FRONT ELEVATION**  
(Rear Platform Removed for Clarity)



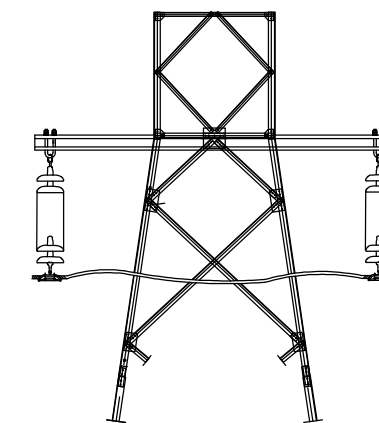
**SIDE ELEVATION**



**PLAN VIEW**



**SECTION 1-1**

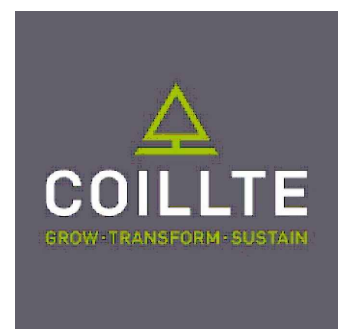


**SECTION 2-2**

**PROJECT**

Castlebanny Wind Farm  
110kV Grid Connection

**CLIENT**



**CONSULTANTS**



**NOTES: -**

- This drawing is to be used for information only and is subject to design.
- Cable Sealing End Towers range between 15m - 22m, the final tower size will be selected as part of the detailed design phase.

**LEGEND: -**

**ISSUE/REVISION**

I/R	DATE	DESCRIPTION
P01	02.12.20	Issued for Planning
P00	03.09.20	Issued for Information

**PROJECT NUMBER**

05-699

**SHEET TITLE**

1493ET excl. Shieldwire  
Cable Interface Tower Details

**SHEET NUMBER**

05699-DR-302